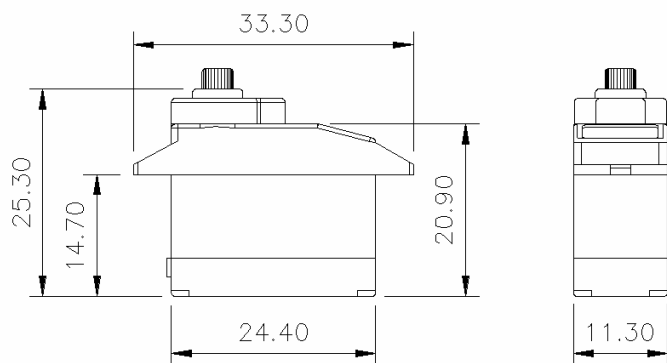


Particular Specification

Item No:	BMS-371
Weight:	8.4 grams / 0.30oz
Size:	24 x 11 x 24 mm / 0.96 x 0.43 x 0.99 inch
Torque At 4.8V:	1.5kg/cm , 21 oz/in
Torque At 6.0V:	
Speed At 4.8V:	0.12sec / 60 deg at no load
Speed At 6.0V:	
Ball Bearing:	Note, Plastic fixed
Metal Gears:	Note, All of nylon gears
Motor Type:	2 pole magnetic motor
Operating Voltage Range	3.6V~4.8V
Operating Temperature Range	-20°C to +60°C
Idle Current	5mA at Stopped
Running Current	210mA
Stall Current	420mA
Dead Bend Width	8 usec
Direction	Re-clock wise / pulse traveling 1200 to 1600 usec
Horn Gear Spline	20 Segments (External diameter: 3.6mm)
Connector Wire Length	160mm (6.29in)
Connector Horsing	Universal connector
Wire Info	Brown Wire = Battery Negative Red Wire = Battery Positive Orange Wire = Signal



Unit: mm